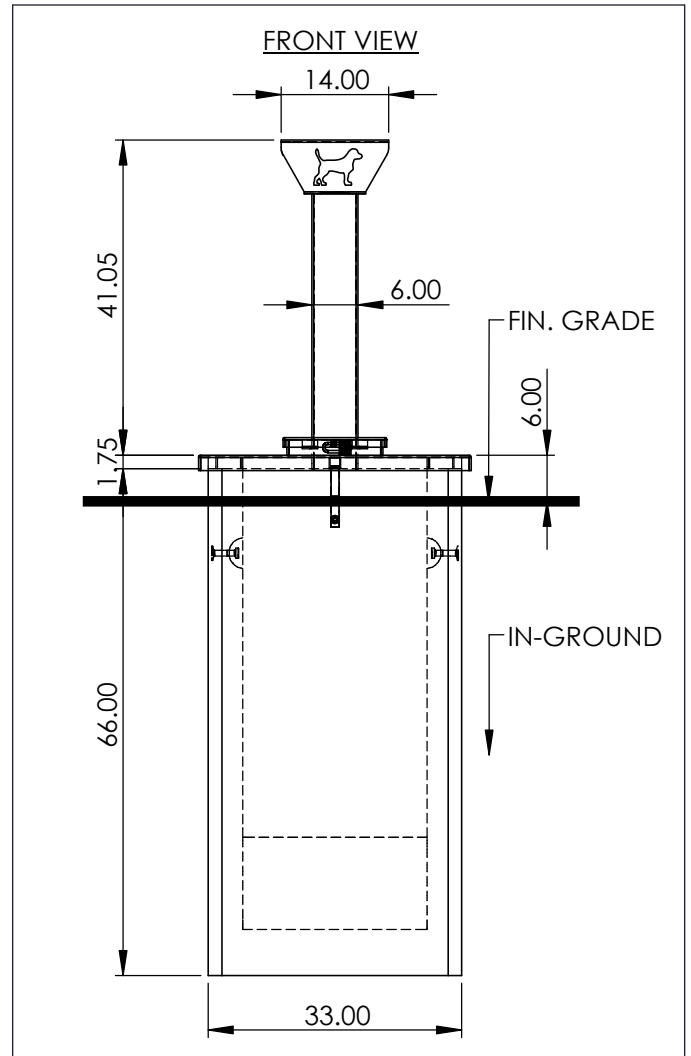
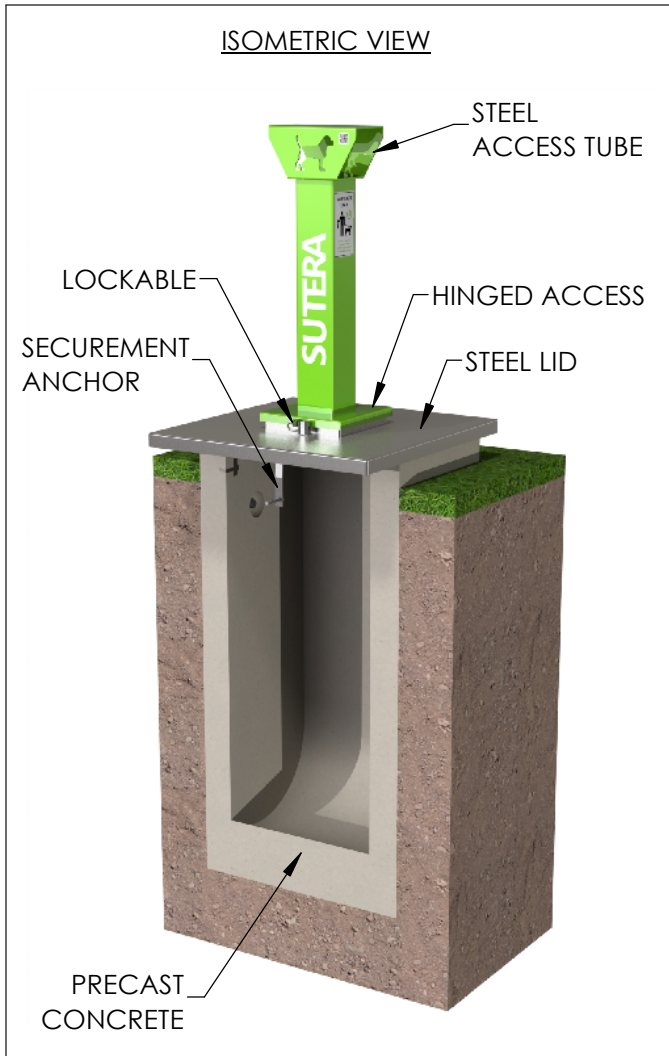


PRODUCT SPECIFICATIONS SHEET



PRODUCT DESCRIPTION:

DS-1a: DOG WASTE CONTAINMENT SYSTEM
 UTILIZING STEEL & CONCRETE CONSTRUCTION, THIS UNIT WILL NOT FLOAT OUT OF THE GROUND AND CAN CONTAIN 0.71 cu.yds. (542 liters) OF WASTE.



SPECIFICATIONS:

MANUFACTURER: SUTERA USA, LLC

MODEL No.: DS-1a

SIGNAGE: "DOG WASTE ONLY..."

STEEL ACCESS TUBE:

CONSTRUCTION: MILD STEEL
 FINISH: PAINT (GREEN)
 WEIGHT: 90 lbs (41 kg)
 HINGED ACCESS TO CONTAINMENT WELL

STEEL LID:

CONSTRUCTION: MILD STEEL
 FINISH: PAINT (GREY - NON SLIP COATING)
 WEIGHT: 100 lbs (45 kg)

PRECAST CONCRETE:

CONSTRUCTION: CONCRETE
 FINISH: EXPOSED CONCRETE
 WEIGHT: 3328 lbs (1510 kg)

LOCK TAB:

FITS STANDARD PAD LOCK (SUPPLIED BY OTHERS)

LINER BAG:

NOT REQ'D - VACUUM SERVICE

SECUREMENT ANCHORS:

FASTENS STEEL LID TO PRECAST CONCRETE

BUYOANCY:

WILL NOT FLOAT OUT OF THE GROUND, SEE SEPARATE BUYOANCY CALCULATION SHEET, AVAILABLE UPON REQUEST.

CONTAINMENT CAPACITY:

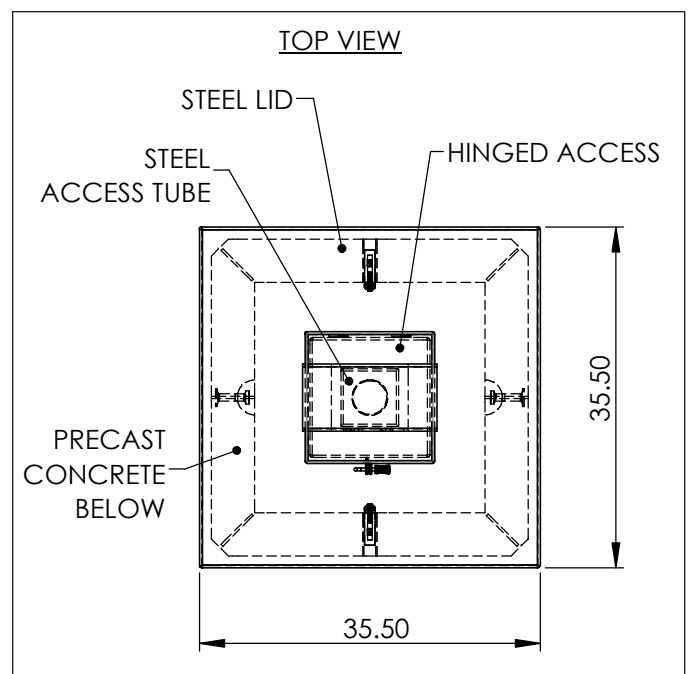
0.71 cu.yds (542 liters)

MAINTENANCE:

KEEP CLEAN BY SPRAYING DOWN WITH CLEAN WATER.
 GREASE ACCESS TUBE HINGES ANNUALLY

SERVICE REQUIREMENTS:

CONTENTS TO BE REMOVED BY VACUUM TRUCK



SUTERA USA, LLC

Tel. 1-866-524-9082

fax. 864-627-0804

UNITED STATES:

55 Commerce Center

Greenville, SC. 29615

CANADA:

700 Rupert Street

Waterloo, ON. N2V 2B5

